

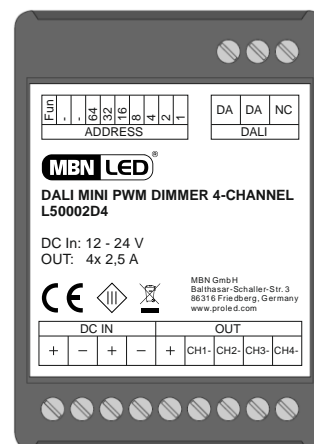
MBNLED DALI MINI PWM DIMMER 4-KANAL – L50002D4

Eigenschaften:

- DALI BUS Signal
- Standby <1 Watt
- 4x 2,5 A Ausgangsstrom
- Umgebungstemperatur -10° C bis +40° C
- CE-konform mit den zutreffenden europäischen Richtlinien
- Größe 53 x 75 x 25 mm (L x B x H)

Warnhinweise:

1. Nur für Innenbereich vorgesehen
2. Stellen Sie sicher, dass die Verpackung umweltgerecht entsorgt wird
3. Wir empfehlen den Einbau durch einen Fachbetrieb, der mit diesem Produkt vertraut ist
4. Niemals 230V an einen der Anschlüsse direkt oder indirekt anschließen
5. Bei DALI-Anschluß sollte die Leitung 10m Länge nicht übersteigen.



Sicherheit:

Beauftragen Sie mit der Installation eine Elektro-Fachkraft. Der Hersteller übernimmt keine Haftung für Schäden, die durch unsachgemäßen Einsatz oder Montage entstehen. Werden nachträglich Änderungen an dem Produkt vorgenommen, so gilt derjenige als Hersteller, der diese Änderungen vornimmt. Nur für den Innenbereich geeignet. Schutzart IP20.

Montage:

Beachten Sie vor Inbetriebnahme unbedingt die Reihenfolge der einzelnen Installationsschritte, da es ansonsten zu einer Beschädigung kommen kann.

1. Schalten Sie vor Beginn der Arbeiten die Stromzufuhr ab. Falls ein Sicherungskasten vorhanden ist, entfernen Sie die dazugehörige Sicherung und sichern diese gegen unbeabsichtigtes Einschalten.
2. Schließen Sie die Leuchte an dem OUT-Ausgang an
3. Schließen Sie die DALI Steuerleitung an. Es können nur DALI-Steuerungen mit eigener Stromversorgung verwendet werden.
4. Schließen Sie die 12 - 24 VDC Stromversorgung an.
5. Stellen Sie sicher, dass durch den DALI DIMMER keine Feuerschutzbestimmungen verletzt werden
6. Falls Sie diese Anleitung nicht verstehen, kontaktieren Sie bitte einen Fachmann.

Funktionsweise:

DALI:

Beim Einschalten, wenn kein Kontakt zum BUS besteht, gehen die Leuchten mit 100% Helligkeit an. Falls der Kontakt zum BUS besteht, wird das Signal angenommen und bis zum nächsten vorliegenden Signal gehalten. Falls das DALI-Signal abbricht, leuchtet die Leuchte mit 100% Helligkeit.

STAND ALONE:

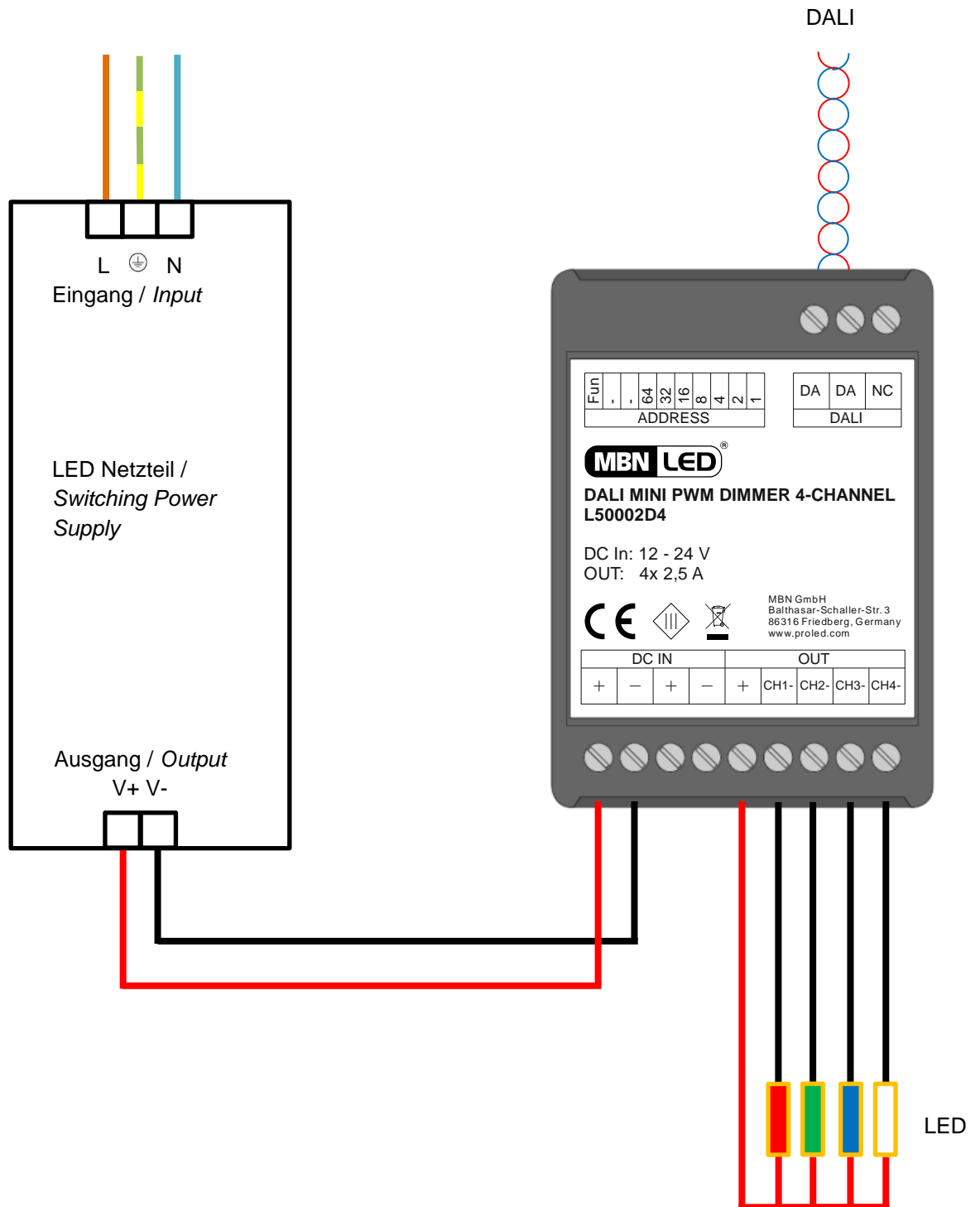
Durch Setzen des DIP-Schalters 10 auf ON, wird der Stand Alone Modus aktiviert. Hierbei können 64 statische Farben kombiniert, ein Regenbogen-Verlauf oder Stroboskop ausgewählt werden. Solange der Stand Alone Modus aktiv ist, werden anliegende DALI-Befehle ignoriert.

Hinweis:

Der Dimmer erlaubt Ihnen die Leuchtintensität im Bereich von 0 – 100% zu verändern. Bei Dimmwerten <10% kann evtl. das Leuchten der LED nicht vernommen werden. Das hängt von der Umgebungshelligkeit sowie der Leuchte selber ab.



Anschlußdiagramm:



Stand Alone Modus:

FUNKTION	DIP-SCHALTER																																																							
64 statische Farben		DIP9 = OFF DIP10 = ON																																																						
		Helligkeitseinstellungen:																																																						
		<table border="1"> <thead> <tr> <th>LEVEL</th> <th colspan="2">Kanal CH1</th> <th colspan="2">Kanal CH2</th> <th colspan="2">Kanal CH3</th> <th colspan="2">Kanal CH4</th> </tr> <tr> <th></th> <th>DIP1</th> <th>DIP2</th> <th>DIP3</th> <th>DIP4</th> <th>DIP5</th> <th>DIP6</th> <th>DIP7</th> <th>DIP8</th> </tr> </thead> <tbody> <tr> <td>100 %</td> <td>ON</td> <td>OFF</td> <td>ON</td> <td>OFF</td> <td>ON</td> <td>OFF</td> <td>ON</td> <td>OFF</td> </tr> <tr> <td>66 %</td> <td>ON</td> <td>OFF</td> <td>ON</td> <td>OFF</td> <td>ON</td> <td>OFF</td> <td>ON</td> <td>OFF</td> </tr> <tr> <td>33 %</td> <td>ON</td> <td>OFF</td> <td>ON</td> <td>OFF</td> <td>ON</td> <td>OFF</td> <td>ON</td> <td>OFF</td> </tr> <tr> <td>0 %</td> <td>ON</td> <td>OFF</td> <td>ON</td> <td>OFF</td> <td>ON</td> <td>OFF</td> <td>ON</td> <td>OFF</td> </tr> </tbody> </table>	LEVEL	Kanal CH1		Kanal CH2		Kanal CH3		Kanal CH4			DIP1	DIP2	DIP3	DIP4	DIP5	DIP6	DIP7	DIP8	100 %	ON	OFF	ON	OFF	ON	OFF	ON	OFF	66 %	ON	OFF	ON	OFF	ON	OFF	ON	OFF	33 %	ON	OFF	ON	OFF	ON	OFF	ON	OFF	0 %	ON	OFF	ON	OFF	ON	OFF	ON	OFF
		LEVEL	Kanal CH1		Kanal CH2		Kanal CH3		Kanal CH4																																															
			DIP1	DIP2	DIP3	DIP4	DIP5	DIP6	DIP7	DIP8																																														
		100 %	ON	OFF	ON	OFF	ON	OFF	ON	OFF																																														
66 %	ON	OFF	ON	OFF	ON	OFF	ON	OFF																																																
33 %	ON	OFF	ON	OFF	ON	OFF	ON	OFF																																																
0 %	ON	OFF	ON	OFF	ON	OFF	ON	OFF																																																
Regenbogen		DIP8 = OFF DIP9 = ON DIP10 = ON																																																						
		Intensitätseinstellung:																																																						
		<table border="1"> <thead> <tr> <th>LEVEL</th> <th colspan="3">FARBE</th> <th colspan="3">WEISS</th> </tr> <tr> <th></th> <th>DIP1</th> <th>DIP2</th> <th>DIP3</th> <th>DIP4</th> <th>DIP5</th> <th>DIP6</th> </tr> </thead> <tbody> <tr> <td>100 %</td> <td>ON</td> <td>ON</td> <td>ON</td> <td>ON</td> <td>ON</td> <td>ON</td> </tr> <tr> <td>66 %</td> <td>OFF</td> <td>ON</td> <td>OFF</td> <td>ON</td> <td>OFF</td> <td>ON</td> </tr> <tr> <td>33 %</td> <td>ON</td> <td>OFF</td> <td>ON</td> <td>OFF</td> <td>ON</td> <td>OFF</td> </tr> <tr> <td>0 %</td> <td>OFF</td> <td>OFF</td> <td>OFF</td> <td>OFF</td> <td>OFF</td> <td>OFF</td> </tr> </tbody> </table>	LEVEL	FARBE			WEISS				DIP1	DIP2	DIP3	DIP4	DIP5	DIP6	100 %	ON	ON	ON	ON	ON	ON	66 %	OFF	ON	OFF	ON	OFF	ON	33 %	ON	OFF	ON	OFF	ON	OFF	0 %	OFF	OFF	OFF	OFF	OFF	OFF												
		LEVEL	FARBE			WEISS																																																		
			DIP1	DIP2	DIP3	DIP4	DIP5	DIP6																																																
		100 %	ON	ON	ON	ON	ON	ON																																																
		66 %	OFF	ON	OFF	ON	OFF	ON																																																
		33 %	ON	OFF	ON	OFF	ON	OFF																																																
		0 %	OFF	OFF	OFF	OFF	OFF	OFF																																																
		Zeiteinstellung zwischen zwei Farbwechsell:																																																						
		<table border="1"> <thead> <tr> <th>ZEIT</th> <th>DIP 5</th> <th>DIP 6</th> <th>DIP 7</th> </tr> </thead> <tbody> <tr> <td>30 Min.</td> <td>ON</td> <td>ON</td> <td>ON</td> </tr> <tr> <td>15 Min.</td> <td>OFF</td> <td>ON</td> <td>ON</td> </tr> <tr> <td>6 Min.</td> <td>ON</td> <td>OFF</td> <td>ON</td> </tr> <tr> <td>1 Min</td> <td>OFF</td> <td>OFF</td> <td>ON</td> </tr> <tr> <td>30 Sek.</td> <td>ON</td> <td>ON</td> <td>OFF</td> </tr> <tr> <td>15 Sek.</td> <td>OFF</td> <td>ON</td> <td>OFF</td> </tr> <tr> <td>6 Sek.</td> <td>ON</td> <td>OFF</td> <td>OFF</td> </tr> <tr> <td>3 Sek.</td> <td>OFF</td> <td>OFF</td> <td>OFF</td> </tr> </tbody> </table>	ZEIT	DIP 5	DIP 6	DIP 7	30 Min.	ON	ON	ON	15 Min.	OFF	ON	ON	6 Min.	ON	OFF	ON	1 Min	OFF	OFF	ON	30 Sek.	ON	ON	OFF	15 Sek.	OFF	ON	OFF	6 Sek.	ON	OFF	OFF	3 Sek.	OFF	OFF	OFF																		
ZEIT	DIP 5	DIP 6	DIP 7																																																					
30 Min.	ON	ON	ON																																																					
15 Min.	OFF	ON	ON																																																					
6 Min.	ON	OFF	ON																																																					
1 Min	OFF	OFF	ON																																																					
30 Sek.	ON	ON	OFF																																																					
15 Sek.	OFF	ON	OFF																																																					
6 Sek.	ON	OFF	OFF																																																					
3 Sek.	OFF	OFF	OFF																																																					
Stroboskop		DIP8 = ON DIP9 = ON DIP10 = ON																																																						
		Ausgangseinstellung:																																																						
		<table border="1"> <thead> <tr> <th>LEVEL</th> <th>Kanal CH1</th> <th>Kanal CH2</th> <th>Kanal CH3</th> <th>Kanal CH4</th> </tr> <tr> <th></th> <th>DIP 1</th> <th>DIP 2</th> <th>DIP 3</th> <th>DIP 4</th> </tr> </thead> <tbody> <tr> <td>100 %</td> <td>ON</td> <td>ON</td> <td>ON</td> <td>ON</td> </tr> <tr> <td>0 %</td> <td>OFF</td> <td>OFF</td> <td>OFF</td> <td>OFF</td> </tr> </tbody> </table>	LEVEL	Kanal CH1	Kanal CH2	Kanal CH3	Kanal CH4		DIP 1	DIP 2	DIP 3	DIP 4	100 %	ON	ON	ON	ON	0 %	OFF	OFF	OFF	OFF																																		
		LEVEL	Kanal CH1	Kanal CH2	Kanal CH3	Kanal CH4																																																		
			DIP 1	DIP 2	DIP 3	DIP 4																																																		
		100 %	ON	ON	ON	ON																																																		
		0 %	OFF	OFF	OFF	OFF																																																		
		Frequenzeinstellung																																																						
		<table border="1"> <thead> <tr> <th>FPS</th> <th>DIP 5</th> <th>DIP 6</th> <th>DIP 7</th> </tr> </thead> <tbody> <tr> <td>10</td> <td>ON</td> <td>ON</td> <td>ON</td> </tr> <tr> <td>8</td> <td>OFF</td> <td>ON</td> <td>ON</td> </tr> <tr> <td>6</td> <td>ON</td> <td>OFF</td> <td>ON</td> </tr> <tr> <td>5</td> <td>OFF</td> <td>OFF</td> <td>ON</td> </tr> <tr> <td>4</td> <td>ON</td> <td>ON</td> <td>OFF</td> </tr> <tr> <td>3</td> <td>OFF</td> <td>ON</td> <td>OFF</td> </tr> <tr> <td>2</td> <td>ON</td> <td>OFF</td> <td>OFF</td> </tr> <tr> <td>1</td> <td>OFF</td> <td>OFF</td> <td>OFF</td> </tr> </tbody> </table>	FPS	DIP 5	DIP 6	DIP 7	10	ON	ON	ON	8	OFF	ON	ON	6	ON	OFF	ON	5	OFF	OFF	ON	4	ON	ON	OFF	3	OFF	ON	OFF	2	ON	OFF	OFF	1	OFF	OFF	OFF																		
		FPS	DIP 5	DIP 6	DIP 7																																																			
10	ON	ON	ON																																																					
8	OFF	ON	ON																																																					
6	ON	OFF	ON																																																					
5	OFF	OFF	ON																																																					
4	ON	ON	OFF																																																					
3	OFF	ON	OFF																																																					
2	ON	OFF	OFF																																																					
1	OFF	OFF	OFF																																																					

DALI-BUS Einstellungen:

FUNKTION	DIP-SCHALTER																			
Automatische Adressvergabe	 1 2 3 4 5 6 7 8 9 10 off off off off off off off off off off	Adressvergabe durch DALI-BUS ALLE DIP-SCHALTER SIND OFF																		
		<table border="1"> <tr> <td>DIP1</td><td>DIP2</td><td>DIP3</td><td>DIP4</td><td>DIP5</td><td>DIP6</td><td>DIP7</td><td>DIP8</td><td>DIP9</td><td>DIP10</td> </tr> <tr> <td>OFF</td><td>OFF</td><td>OFF</td><td>OFF</td><td>OFF</td><td>OFF</td><td>OFF</td><td>OFF</td><td>OFF</td><td>OFF</td> </tr> </table>	DIP1	DIP2	DIP3	DIP4	DIP5	DIP6	DIP7	DIP8	DIP9	DIP10	OFF	OFF	OFF	OFF	OFF	OFF	OFF	OFF
DIP1	DIP2	DIP3	DIP4	DIP5	DIP6	DIP7	DIP8	DIP9	DIP10											
OFF	OFF	OFF	OFF	OFF	OFF	OFF	OFF	OFF	OFF											
Manuelle Adressvergabe (0...63)	 1 2 4 8 16 32 64 - - off	Manuelle Adresseinstellung: DIP10 = OFF DALI-Adressen von 0 bis 63 = (1x DIP1 + 1x DIP2 + ... + 64x DIP7) – 1 Siehe nachfolgende Tabelle. - Wert 1 entspricht DIP-Schalter ON - Wert 0 entspricht DIP-Schalter OFF																		

Adr.	DIP-Schalter 1234567	Adr.	DIP-Schalter 1234567	Adr.	DIP-Schalter 1234567	Adr.	DIP-Schalter 1234567	Adr.	DIP-Schalter 1234567	Adr.	DIP-Schalter 1234567	Adr.	DIP-Schalter 1234567	Adr.	DIP-Schalter 1234567
Autom.	0000000														
0	1000000	8	1001000	16	1000100	24	1001100	32	1000010	40	1001010	48	1000110	56	1001110
1	0100000	9	0101000	17	0100100	25	0101100	33	0100010	41	0101010	49	0100110	57	0101110
2	1100000	10	1101000	18	1100100	26	1101100	34	1100010	42	1101010	50	1100110	58	1101110
3	0010000	11	0011000	19	0010100	27	0011100	35	0010010	43	0011010	51	0010110	59	0011110
4	1010000	12	1011000	20	1010100	28	1011100	36	1010010	44	1011010	52	1010110	60	1011110
5	0110000	13	0111000	21	0110100	29	0111100	37	0110010	45	0111010	53	0110110	61	0111110
6	1110000	14	1111000	22	1110100	30	1111100	38	1110010	46	1111010	54	1110110	62	1111110
7	0001000	15	0000100	23	0001100	31	0000010	39	0001010	47	0000110	55	0001110	63	0000001

Beispiel DIP-Schalterstellung:

Falls Sie z. B. als Startadresse 38 einstellen wollen, müssen nachfolgende Werte auf den DIP-Schaltern gesetzt werden.

DIP1 = ON, DIP2 = ON, DIP3 = ON, DIP4 = OFF, DIP5 = OFF, DIP6 = ON, DIP7 = OFF, DIP8 = OFF, DIP9 = OFF, DIP10 = OFF.

Beispiel Kanalbelegung (Manuelle Adressvergabe):

Falls Sie die DALI-Adresse manuell vergeben haben, z. B. Adresse 38, haben die Kanäle folgende Adressen

Adresse 38 = Kanal CH1

Adresse 39 = Kanal CH2

Adresse 40 = Kanal CH3

Adresse 41 = Kanal CH4

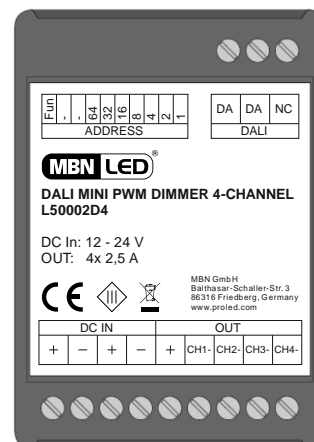
MBNLED DALI MINI PWM DIMMER 4-CHANNEL - L50002D4

Characteristics:

- DALI BUS Signal
- Standby <1 Watt
- 4x 2,5 A output current
- Usage temperature -10° C bis +40° C
- CE-conformity with the related directive
- Size 53 x 75 x 25 mm (L x B x H)

Warnings:

1. For indoor use only
2. Please ensure that the packaging is disposed of in a safe environment
3. We do recommend that a qualified electrician should be used to install the products
4. Never connect any of the connectors to 230V mains supply directly or indirectly
5. At DALI installation the wirings shall do not exceed 10m lenght.



Safety Indices:

Be sure to have a qualified electrician complete installation. The manufacturer is then discharged from liability when damage is caused by improper use or installation. If any controller is subsequently modified, the person responsible for the modification shall be considered as manufacturer. For indoor use only. Protection class IP20.

Installation:

Please follow the sequence of installation step by step. Non-observance can lead to damage.

1. Switch off the electricity at the mains before commencing and (if a fuse box is installed) remove the appropriate circuit fuse to avoid accidental switching on of the mains supply.
2. Connect the luminaire to OUT-connector
3. Connect the DALI signal input. It's only possible to connect DALI-controllers with own power supply.
4. Connect 12 – 24 VDC power supply.
5. Ensure fire regulations are not breached when fitting your DALI-controller
6. If you are in any doubt regarding these instructions, consult a qualified electrician

Function:

DALI:

At power-up, in the absence of connection to the BUS, the luminaires will light up with 100% brightness. When the connection to the BUS exists, the DALI-value will be used and remains until a new value is present. If the DALI signal is lost, the luminaire goes back to 100% brightness.

STAND ALONE:

By setting the DIP switch 10 to ON, a Stand Alone Mode can be activated. In this mode you can choose 64 static colours, a rainbow movement or strobe.

As long as the Stand Alone Mode is activated all DALI signals will be ignored.

Remarks:

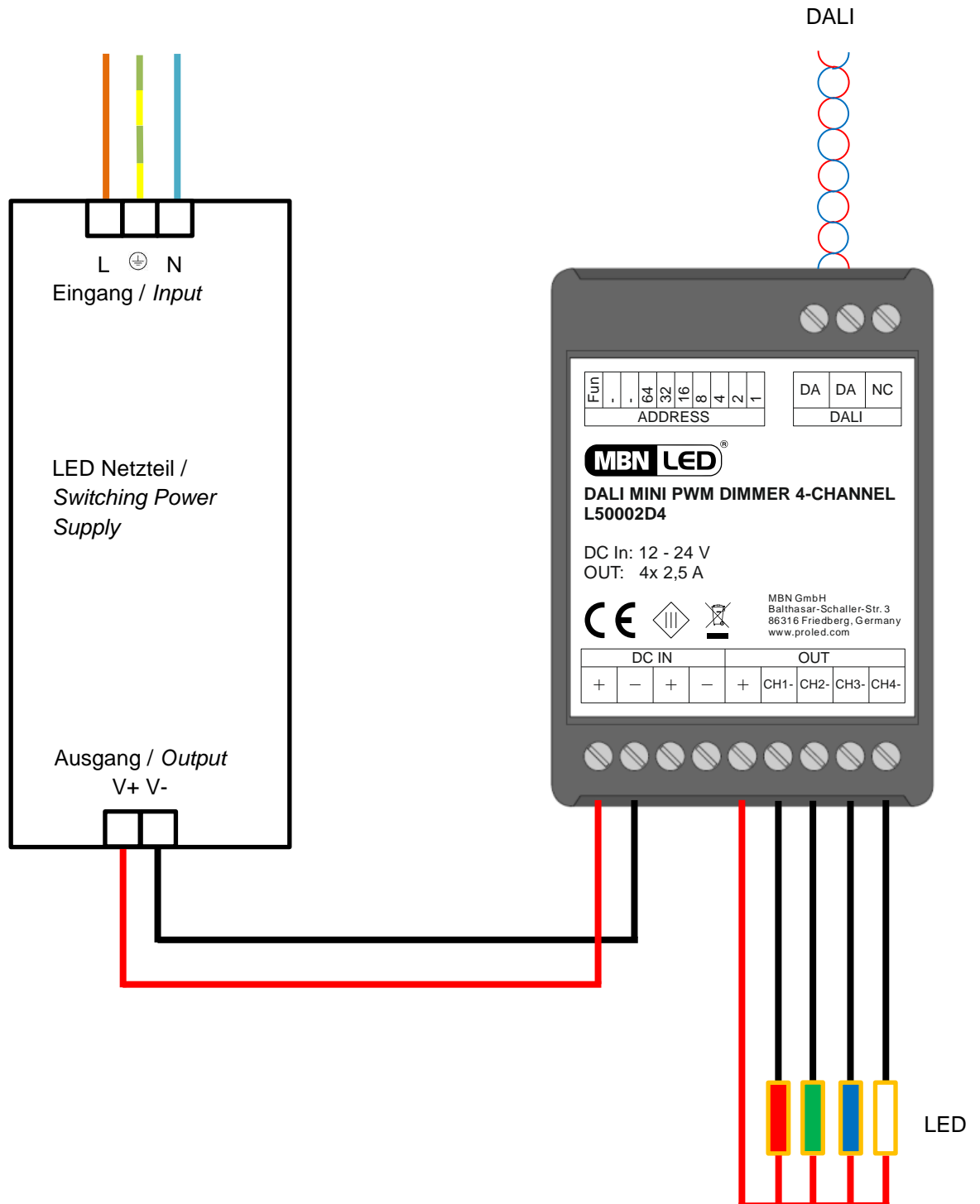
The device allows you to vary the luminous intensity from 0 – 100%.

For brightness levels <10% ignition of luminaires driven can not be clearly visible.

This depends on the ambient light and the luminaire features.



Connection diagram:



Stand Alone Mode:

FUNCTION	DIP-SWITCH																																																							
64 static colours		DIP9 = OFF DIP10 = ON																																																						
		Brightness setting:																																																						
		<table border="1"> <thead> <tr> <th>LEVEL</th> <th colspan="2">Channel 1</th> <th colspan="2">Channel 2</th> <th colspan="2">Channel 3</th> <th colspan="2">Channel 4</th> </tr> <tr> <th></th> <th>DIP1</th> <th>DIP2</th> <th>DIP3</th> <th>DIP4</th> <th>DIP5</th> <th>DIP6</th> <th>DIP7</th> <th>DIP8</th> </tr> </thead> <tbody> <tr> <td>100 %</td> <td>ON</td> <td>OFF</td> <td>ON</td> <td>OFF</td> <td>ON</td> <td>OFF</td> <td>ON</td> <td>OFF</td> </tr> <tr> <td>66 %</td> <td>ON</td> <td>OFF</td> <td>ON</td> <td>OFF</td> <td>ON</td> <td>OFF</td> <td>ON</td> <td>OFF</td> </tr> <tr> <td>33 %</td> <td>ON</td> <td>OFF</td> <td>ON</td> <td>OFF</td> <td>ON</td> <td>OFF</td> <td>ON</td> <td>OFF</td> </tr> <tr> <td>0 %</td> <td>ON</td> <td>OFF</td> <td>ON</td> <td>OFF</td> <td>ON</td> <td>OFF</td> <td>ON</td> <td>OFF</td> </tr> </tbody> </table>	LEVEL	Channel 1		Channel 2		Channel 3		Channel 4			DIP1	DIP2	DIP3	DIP4	DIP5	DIP6	DIP7	DIP8	100 %	ON	OFF	ON	OFF	ON	OFF	ON	OFF	66 %	ON	OFF	ON	OFF	ON	OFF	ON	OFF	33 %	ON	OFF	ON	OFF	ON	OFF	ON	OFF	0 %	ON	OFF	ON	OFF	ON	OFF	ON	OFF
		LEVEL	Channel 1		Channel 2		Channel 3		Channel 4																																															
			DIP1	DIP2	DIP3	DIP4	DIP5	DIP6	DIP7	DIP8																																														
		100 %	ON	OFF	ON	OFF	ON	OFF	ON	OFF																																														
66 %	ON	OFF	ON	OFF	ON	OFF	ON	OFF																																																
33 %	ON	OFF	ON	OFF	ON	OFF	ON	OFF																																																
0 %	ON	OFF	ON	OFF	ON	OFF	ON	OFF																																																
Rainbow		DIP8 = OFF DIP9 = ON DIP10 = ON																																																						
		Intensity setting:																																																						
		<table border="1"> <thead> <tr> <th>LEVEL</th> <th colspan="2">COLOUR</th> <th colspan="2">WHITE</th> </tr> <tr> <th></th> <th>DIP1</th> <th>DIP2</th> <th>DIP3</th> <th>DIP4</th> </tr> </thead> <tbody> <tr> <td>100 %</td> <td>ON</td> <td>ON</td> <td>ON</td> <td>ON</td> </tr> <tr> <td>66 %</td> <td>OFF</td> <td>ON</td> <td>OFF</td> <td>ON</td> </tr> <tr> <td>33 %</td> <td>ON</td> <td>OFF</td> <td>ON</td> <td>OFF</td> </tr> <tr> <td>0 %</td> <td>OFF</td> <td>OFF</td> <td>OFF</td> <td>OFF</td> </tr> </tbody> </table>	LEVEL	COLOUR		WHITE			DIP1	DIP2	DIP3	DIP4	100 %	ON	ON	ON	ON	66 %	OFF	ON	OFF	ON	33 %	ON	OFF	ON	OFF	0 %	OFF	OFF	OFF	OFF																								
		LEVEL	COLOUR		WHITE																																																			
			DIP1	DIP2	DIP3	DIP4																																																		
		100 %	ON	ON	ON	ON																																																		
		66 %	OFF	ON	OFF	ON																																																		
		33 %	ON	OFF	ON	OFF																																																		
		0 %	OFF	OFF	OFF	OFF																																																		
		Time setting for change between two colours.																																																						
		<table border="1"> <thead> <tr> <th>TIME</th> <th>DIP 5</th> <th>DIP 6</th> <th>DIP 7</th> </tr> </thead> <tbody> <tr> <td>30 Min.</td> <td>ON</td> <td>ON</td> <td>ON</td> </tr> <tr> <td>15 Min.</td> <td>OFF</td> <td>ON</td> <td>ON</td> </tr> <tr> <td>6 Min.</td> <td>ON</td> <td>OFF</td> <td>ON</td> </tr> <tr> <td>1 Min</td> <td>OFF</td> <td>OFF</td> <td>ON</td> </tr> <tr> <td>30 Sec.</td> <td>ON</td> <td>ON</td> <td>OFF</td> </tr> <tr> <td>15 Sec.</td> <td>OFF</td> <td>ON</td> <td>OFF</td> </tr> <tr> <td>6 Sec.</td> <td>ON</td> <td>OFF</td> <td>OFF</td> </tr> <tr> <td>3 Sec.</td> <td>OFF</td> <td>OFF</td> <td>OFF</td> </tr> </tbody> </table>	TIME	DIP 5	DIP 6	DIP 7	30 Min.	ON	ON	ON	15 Min.	OFF	ON	ON	6 Min.	ON	OFF	ON	1 Min	OFF	OFF	ON	30 Sec.	ON	ON	OFF	15 Sec.	OFF	ON	OFF	6 Sec.	ON	OFF	OFF	3 Sec.	OFF	OFF	OFF																		
		TIME	DIP 5	DIP 6	DIP 7																																																			
		30 Min.	ON	ON	ON																																																			
15 Min.	OFF	ON	ON																																																					
6 Min.	ON	OFF	ON																																																					
1 Min	OFF	OFF	ON																																																					
30 Sec.	ON	ON	OFF																																																					
15 Sec.	OFF	ON	OFF																																																					
6 Sec.	ON	OFF	OFF																																																					
3 Sec.	OFF	OFF	OFF																																																					
Strobe		DIP8 = ON DIP9 = ON DIP10 = ON																																																						
		Output settings:																																																						
		<table border="1"> <thead> <tr> <th>LEVEL</th> <th>Channel 1</th> <th>Channel 2</th> <th>Channel 3</th> <th>Channel 4</th> </tr> <tr> <th></th> <th>DIP 1</th> <th>DIP 2</th> <th>DIP 3</th> <th>DIP 4</th> </tr> </thead> <tbody> <tr> <td>100 %</td> <td>ON</td> <td>ON</td> <td>ON</td> <td>ON</td> </tr> <tr> <td>0 %</td> <td>OFF</td> <td>OFF</td> <td>OFF</td> <td>OFF</td> </tr> </tbody> </table>	LEVEL	Channel 1	Channel 2	Channel 3	Channel 4		DIP 1	DIP 2	DIP 3	DIP 4	100 %	ON	ON	ON	ON	0 %	OFF	OFF	OFF	OFF																																		
		LEVEL	Channel 1	Channel 2	Channel 3	Channel 4																																																		
			DIP 1	DIP 2	DIP 3	DIP 4																																																		
		100 %	ON	ON	ON	ON																																																		
		0 %	OFF	OFF	OFF	OFF																																																		
		Frequency settings:																																																						
		<table border="1"> <thead> <tr> <th>FPS</th> <th>DIP 5</th> <th>DIP 6</th> <th>DIP 7</th> </tr> </thead> <tbody> <tr> <td>10</td> <td>ON</td> <td>ON</td> <td>ON</td> </tr> <tr> <td>8</td> <td>OFF</td> <td>ON</td> <td>ON</td> </tr> <tr> <td>6</td> <td>ON</td> <td>OFF</td> <td>ON</td> </tr> <tr> <td>5</td> <td>OFF</td> <td>OFF</td> <td>ON</td> </tr> <tr> <td>4</td> <td>ON</td> <td>ON</td> <td>OFF</td> </tr> <tr> <td>3</td> <td>OFF</td> <td>ON</td> <td>OFF</td> </tr> <tr> <td>2</td> <td>ON</td> <td>OFF</td> <td>OFF</td> </tr> <tr> <td>1</td> <td>OFF</td> <td>OFF</td> <td>OFF</td> </tr> </tbody> </table>	FPS	DIP 5	DIP 6	DIP 7	10	ON	ON	ON	8	OFF	ON	ON	6	ON	OFF	ON	5	OFF	OFF	ON	4	ON	ON	OFF	3	OFF	ON	OFF	2	ON	OFF	OFF	1	OFF	OFF	OFF																		
		FPS	DIP 5	DIP 6	DIP 7																																																			
10	ON	ON	ON																																																					
8	OFF	ON	ON																																																					
6	ON	OFF	ON																																																					
5	OFF	OFF	ON																																																					
4	ON	ON	OFF																																																					
3	OFF	ON	OFF																																																					
2	ON	OFF	OFF																																																					
1	OFF	OFF	OFF																																																					

DALI-BUS settings:

FUNCTION	DIP-SWITCH																			
Automatic addressing		Address setting by DALI-BUS ALL DIP-SWITCH MUST BE OFF																		
		<table border="1"> <tr> <td>DIP1</td><td>DIP2</td><td>DIP3</td><td>DIP4</td><td>DIP5</td><td>DIP6</td><td>DIP7</td><td>DIP8</td><td>DIP9</td><td>DIP10</td> </tr> <tr> <td>OFF</td><td>OFF</td><td>OFF</td><td>OFF</td><td>OFF</td><td>OFF</td><td>OFF</td><td>OFF</td><td>OFF</td><td>OFF</td> </tr> </table>	DIP1	DIP2	DIP3	DIP4	DIP5	DIP6	DIP7	DIP8	DIP9	DIP10	OFF	OFF	OFF	OFF	OFF	OFF	OFF	OFF
DIP1	DIP2	DIP3	DIP4	DIP5	DIP6	DIP7	DIP8	DIP9	DIP10											
OFF	OFF	OFF	OFF	OFF	OFF	OFF	OFF	OFF	OFF											
Manual addressing (0...63)		Manual address setting: DIP10 = OFF DALI-Address from 0 till 63 = (1x DIP1 + 1x DIP2 + ... + 64x DIP7) – 1 Please refer to following table. - Value 1 corresponding to DIP-Switch ON - Value 0 corresponding to DIP-Switch OFF																		

Adr.	DIP-Switch 1234567	Adr.	DIP-Switch 1234567	Adr.	DIP-Switch 1234567	Adr.	DIP-Switch 1234567	Adr.	DIP-Switch 1234567	Adr.	DIP-Switch 1234567	Adr.	DIP-Switch 1234567	Adr.	DIP-Switch 1234567
Autom.	0000000														
0	1000000	8	1001000	16	1000100	24	1001100	32	1000010	40	1001010	48	1000110	56	1001110
1	0100000	9	0101000	17	0100100	25	0101100	33	0100010	41	0101010	49	0100110	57	0101110
2	1100000	10	1101000	18	1100100	26	1101100	34	1100010	42	1101010	50	1100110	58	1101110
3	0010000	11	0011000	19	0010100	27	0011100	35	0010010	43	0011010	51	0010110	59	0011110
4	1010000	12	1011000	20	1010100	28	1011100	36	1010010	44	1011010	52	1010110	60	1011110
5	0110000	13	0111000	21	0110100	29	0111100	37	0110010	45	0111010	53	0110110	61	0111110
6	1110000	14	1111000	22	1110100	30	1111100	38	1110010	46	1111010	54	1110110	62	1111110
7	0001000	15	0000100	23	0001100	31	0000010	39	0001010	47	0000110	55	0001110	63	0000001

Sample for DIP-Switch setting:

If you like to set as start address for example 38, you must set following values on the dip switches.

DIP1 = ON, DIP2 = ON, DIP3 = ON, DIP4 = OFF, DIP5 = OFF, DIP6 = ON, DIP7 = OFF, DIP8 = OFF, DIP9 = OFF, DIP10 = OFF.

Sample for channel use (manual address setting):

If you have set manually address, for example 38, the channels have following addresses.

Address 38 = Channel 1

Address 39 = Channel 2

Address 40 = Channel 3

Address 41 = Channel 4